

ESOL™ static fogger

User manual



Specifications:

Water tank capacity	16L	
Humidifying capacity	1500ml/h	
Voltage	100~240V 50Hz/60Hz	
Power	80W	
Mist maker heads	3pcs	
Size	255*255*1050mm(Water pipe length?)	
Carton packaging Size	295*295*580mm	
G.W.	4.4kg	
Control way	Remote control	Manual control
Applying area	About 150m ³	
MOQ	100pcs	

WARNING! TO REDUCE THE RISK OF FIRE, ELECTRIC SHOCK, OR PERSONAL INJURY, READ ALL THE INSTRUCTIONS BEFORE USING THIS HUMIDIFIER, AND FOLLOW THE INSTRUCTIONS!

Important instructions

When using the ESOL fogger, basic electrical safety precautions should always be followed.

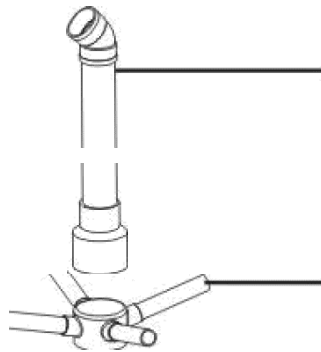
WARNING: TO AVOID THE RISK OF ELECTRICAL SHOCK, FIRE OR INJURY TO PERSON, ALWAYS MAKE SURE THE PRODUCT IS UNPLUGGED FROM THE ELECTRICAL OUTLET BEFORE RELOCATING, SERVICING, OR CLEANING IT.

- Read all the instructions before using the ESOL fogger
- Use this ESOL fogger only as described in this manual. Anything outside the guidelines is not recommended, may cause fire, electric shock or injury to persons
- Ensure all packaging is removed before use
- Check the power cord and plug regular for damage. If the power cord or plug is damaged, DO NOT use. It must be replaced by manufacturer or a qualified person in order to avoid an electrical hazard
- DO NOT pull the cord too hard as it could damage and fray. If it becomes damaged after prolonged use it should be repaired by a qualified technician
- Ensure that the voltage used corresponds to the voltage indicated on the rating plate
- DO NOT allow the power cord to touch hot surfaces and DO NOT place near hot gas or electric burners
- Place the ESOL fogger on a flat, level surface away from direct sunlight
- NEVER operate the unit without ESOL or water
- Use only clean, cool water to fill the tank. (If you have hard tap water, it is strongly suggested to use distilled water)
- During operation, rotate the mist nozzle so it aims away from children, walls and furniture
- DO NOT add medication of any type into the nozzle, base or water tank
- DO NOT cover any openings on the unit or insert objects into any openings
- DO NOT tilt or tip the unit or attempt to empty or fill while in operation
- DO NOT leave the unit unattended in closed rooms for a long period of time as the air could become saturated and leave condensation on walls or furniture. Always ensure good ventilation
- To protect against electric shock, do not immerse unit, plug or cord in water or other liquids
- Keep the cord away from areas where it could be walked on or tripped over

- Close supervision is necessary when any appliance is used by or near children
- To disconnect, first turn the unit OFF, grip the plug and pull from the wall outlet. Never pull the plug by the cord
- Turn the unit OFF and unplug from the outlet when not in use
- Turn the unit OFF when moving to another location and before cleaning
- DO NOT operate the ESOL fogger in the presence of explosive and/or flammable fumes
- DO NOT place the ESOL fogger or any parts near an open flame, cooking or other heating appliance
- The use of attachments not recommended by the manufacturer may be hazardous
- DO NOT place ESOL fogger on a wooden or polished surface
- DO NOT operate if the housing is damaged
- There are no user serviceable parts in this product. Refer servicing to a qualified person
- This is NOT a toy

To prolong the life of this ESOL fogger, run through once a week with tap water. Do not add fragrance or oil in the water, it will cause the machine to malfunction and void the warranty.

Parts Description:



Directional Mist Nozzle

Four Directional Mist Nozzle

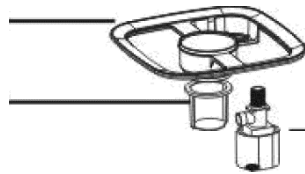
Small Lid

Medium Lid

Top Cover

Water Tank Stand

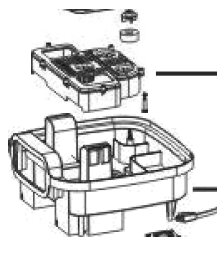
Water-Retaining Plate



Water Stop Valve

”

Water Tank



Water Blocking Plate

Base

Display Screen

Solenoid Valve

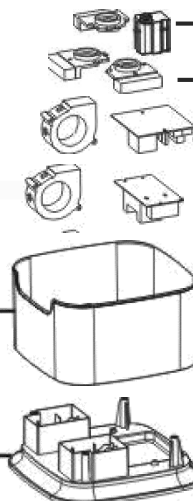
Mist Block Plate

PCB Board

Fan

Shell

Bottom Plate



Operating Instructions

Ensure unit is not plugged into mains when filling with ESOL — switch off and unplug

Place unit on a smooth level surface that can support the unit when filled with ESOL. Lift and remove the top small cover

NOTE: Do not lift unit when full, please use the wheels to move to desired area

Plug in power source and press the Power button — the power on indicator will illuminate (Green) (for ESOL fogger+ only)

To adjust mist intensity, turn the control knob clockwise to increase and — anti clockwise to decrease

If the Red indicator light illuminates after powering on, either the unit is out of water or tank is not properly aligned. (See trouble shooting) (for ESOL fogger+ only)

Use the multiway directional nozzle to help vapor dispel. Ensure vapor is directed away from walls and furniture

Pay attention to the ESOL level — add ESOL when low

(Red indicator light illuminates when water is out) (for ESOL fogger+ only)



- DO NOT clean whilst the unit is switched on. Turn off power and unplug unit
- DO NOT use cleaning detergents or chemicals to clean the tank or base. Detergent dissolved in the water supply can interfere with the mist output
- Wipe the exterior of the body with a damp cloth
- DO NOT spray water or any liquid onto the control
- Never immerse the base in water or let water enter the air outlet or other openings
- Clean and rinse the water tank and mist nozzle with lukewarm water frequently to avoid mineral build up
- Keep the nebulizer and water sensor free of mineral deposits. Remove water tank and empty the reservoir. Clean the nebulizer and sensor with a soft brush (old toothbrush)
- DO NOT scrape the nebulizer or water sensor
- DO NOT clean with tools that have metal parts
- DO NOT leave water to sit in the tank for more than a couple days as it may cause bacterial growth
- Always empty the tank if not planning to use for a few days

Storage

- When not in use, store in a cool dry location. To prevent dust and dirt use the packaging to repack the unit
- Follow the maintenance instructions
- If water is left in the unit during storage, it may harden and leave deposits that may affect the unit from operating properly
- Leave the cap of the water tank loose. This will prevent the cap and gasket from sticking together and prolong the life of the gasket

Problem Solving

PROBLEM	REASON	SOLUTION
Light off, fan not working, no mist.	Power not connected or issue with power source.	Try another power socket.
Light on, fan not working, no mist.	Too much water is in the base.	Pour out water from the base and restart.
Only a small amount of mist.	Transducer cover by furring.	Clean the furring away and change water.
Water can not reach base.	Valve stuck or water tank positioned incorrectly on base.	Clean valve and reposition the water tank onto base.
	Water higher than the mark.	Pour out some water till its lower than the mark.

General advice

Always use a hygrometer to check the humidity levels are correct.

In cold weather, windows and walls may sometimes fog or develop excess condensation from too much humidity. If this occurs, reduce the mist intensity setting.

Allowing too much moisture to accumulate, could allow bacteria and fungi to grow, and can also damage furniture, walls and wallpaper.

To prolong the life of this humidifier, using distilled water is highly recommended. Do not add fragrance or oil in the water, it will cause the machine to malfunction and void the warranty.

Conformity with directives

This product is CE marked to denote conformity with Directives 2014/35/EU (low Voltage) and 2014/30/EU (Electromagnetic Compatibility), as amended.

Environmental protection



Disposal

This marking indicates that this product should not be disposed with other household wastes throughout the EU. To prevent possible harm to the environment or human health from uncontrolled waste disposal, recycle it responsibly to promote the sustainable reuse of material resources.

Warranty

This product is guaranteed under warranty and covers defects in material or workmanship from 1 year of date of purchase. The original bill of purchase (with purchase date) must be submitted.

- The warranty will not apply in cases of:
- Misuse: by non-compliance of the instructions
- Normal wear and tear
- Incorrect use, e.g. overloading, non-approved accessories
- Force or damaged caused by external forces
- If the plug has been tampered with or removed
- Partially or completely dismantled product
- Interference by non-qualified persons

ESOL reordering

To reorder ESOL for fogging visit:

<https://www.bridgebiotechnology.com/product/fogging/>

Alternatively, you can email us at orders@bridgebiotechnology.com

Contact details

Bridge Biotechnology
4 Castle Court
Carnegie Campus
Dunfermline
Fife
KY11 8PB

